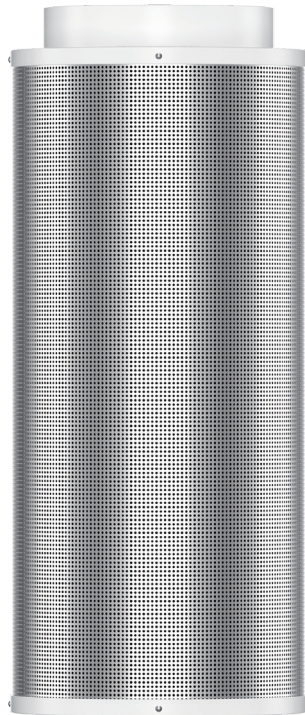


SF1240



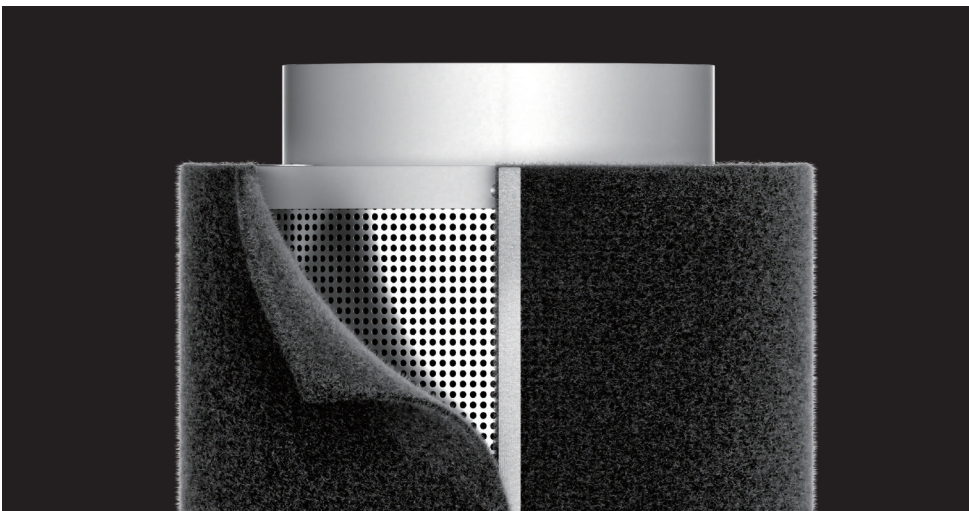
- Premium charcoal
- RC48 virgin granular carbon
- Deep carbon bed
- High open area
- Large air flow
- For seamless operation pair these filters with all SENSDAR EC fans

GENERAL DATA

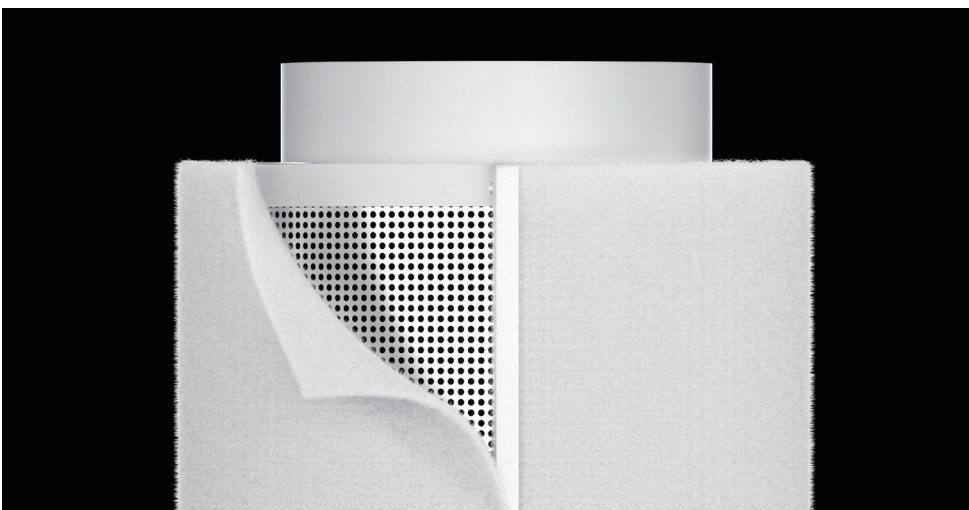
Model	SF1240
Duct Opening	12inch/319mm
Length	40inch/1010mm
Air Flow	1800CFM/3060M ³ H
Medium	Premium Charcoal
Grade	RC-48
Carbon Bed	1.8inch/45mm
Carbon Weight	26.4Kg
Total Weight	33.5Kg
Filter Type	Pre-filter
Housing Material	Cold rolled steel

ATTACHMENT OPTIONAL

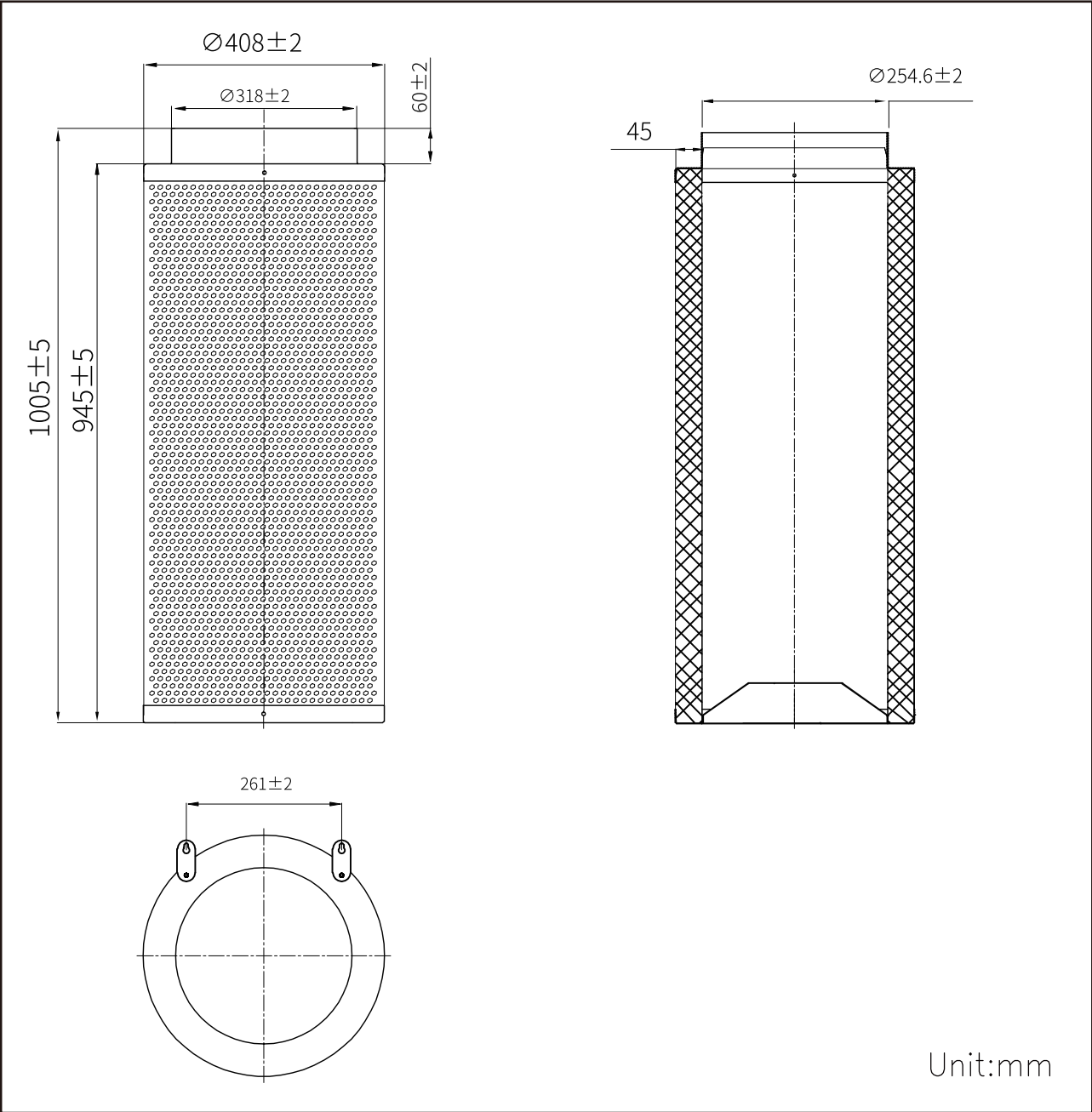
Prefiltered cotton • black



Prefiltered cotton • white



DIMENSION DRAWING



ADAPTABLE MODEL

■ SE-A315Z



■ SE-A315J

