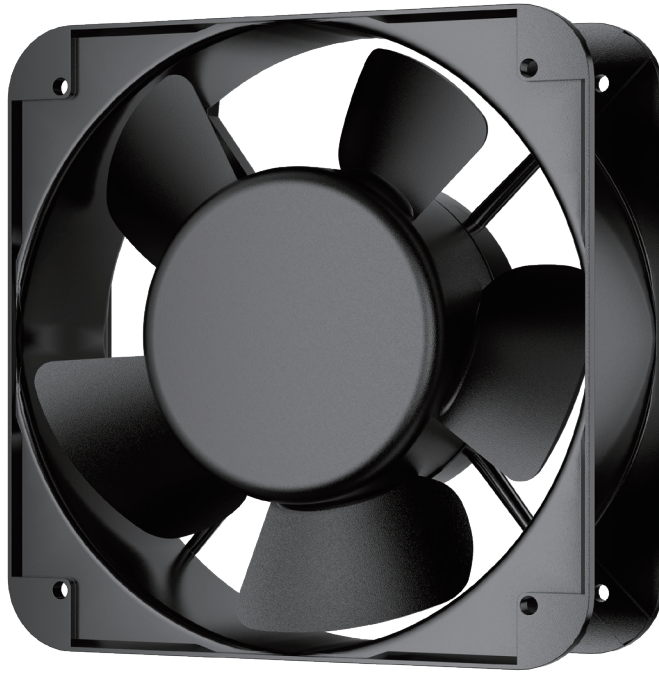


# **EC150x150x51mm**



- Innovative, high efficient mixed flow fan
- Jet-engine design, precisely calibrated, aerodynamics refined through CFD optimization
- Eco-watt technology, 3-phase, 6-pole brushless motor
- Certified: CE,UKCA,ETL,SAA,PSE,G-mark

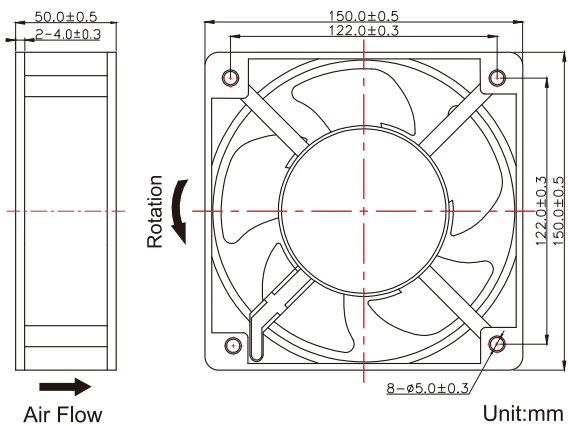
### GENERAL SPECIFICATIONS

Insuation: Class B  
 Material: Impeller: Plastic; Frame: Aluminum Alloy  
 Lead Wire: UL Type  
 Mode of operation: S1  
 Operation Temperature: -10°C-70°C, 35%-85%RH  
 Storage Temperature: -40°C-80°C, 35%-85%RH  
 Available Features: IP68 / PWM / FG&RD / Thermal control / Autoresart / Slow startup

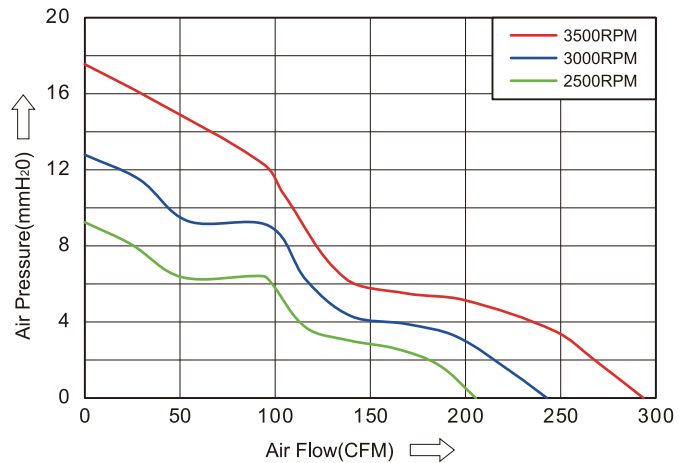
### SPECIFICATIONS

Model	Bearing System		Rated Voltage	Frequency	Operation Voltage	Rated Current	Power	Rated Speed	Air Flow	Air Pressure	Noise Level	Weight
	Ball	Sleeve	VAC	Hz	VAC	A	W	RPM	CFM	mmH <sub>2</sub> O	dBA	g
SE1551HX	●	●	115/230	50/60	98~264	0.70/0.35	35	3500	293.5	17.6	59	750
SE1551MX	●	●				0.50/0.25	22	3000	242.8	12.8	51	
SE1551LX	●	●				0.36/0.18	16	2500	205.4	9.2	44	

### DIMENSIONS DRAWIN



### P&Q CURVE(AT RATED VOLTAGE)



Note:

- \*All readings are typical values at rated voltage.
- \*The noise value is the measured value at the distance of 1 meter from the fan inlet
- \*Specifications are subject to change without prior notice.
- \* "X" in model list can be B, S, and C, meaning Dual Ball Bearing, Sleeve Bearing and 1 Ball 1 Sleeve Bearing