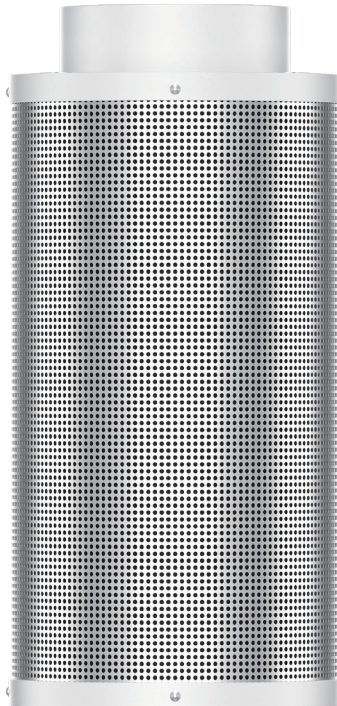


# SF0824



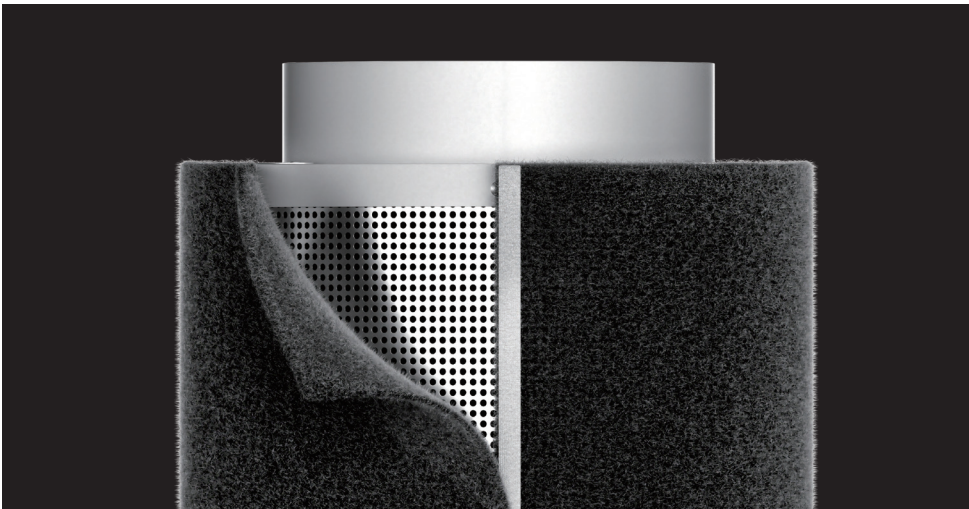
- Premium charcoal
- RC48 virgin granular carbon
- Deep carbon bed
- High open area
- Large air flow
- For seamless operation pair these filters with all SENSDAR EC fans

## GENERAL DATA

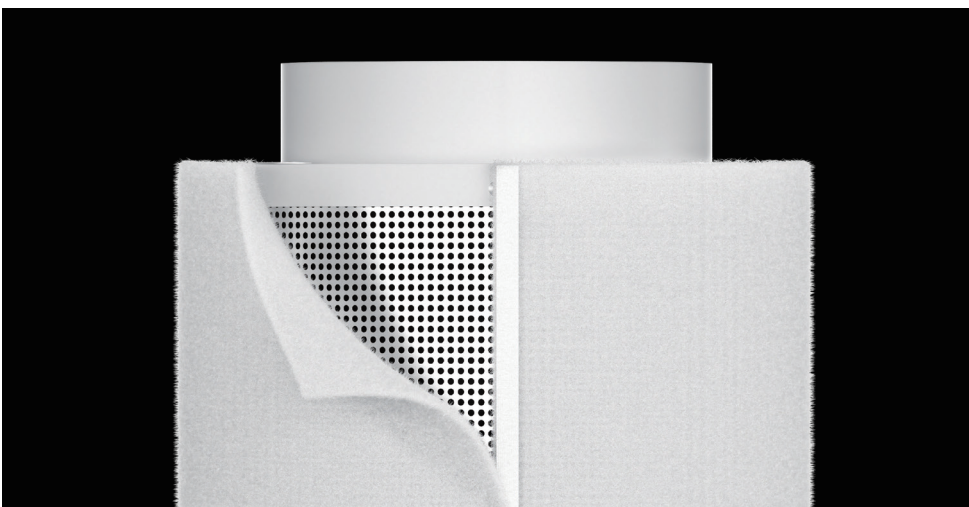
Model	SF0824
Duct Opening	8inch/204mm
Length	24inch/615mm
Air Flow	750CFM/1275M <sup>3</sup> H
Medium	Premium Charcoal
Grade	RC-48
Carbon Bed	1.8inch/45mm
Carbon Weight	10Kg
Total Weight	14Kg
Filter Type	Pre-filter
Housing Material	Cold rolled steel

# ATTACHMENT OPTIONAL

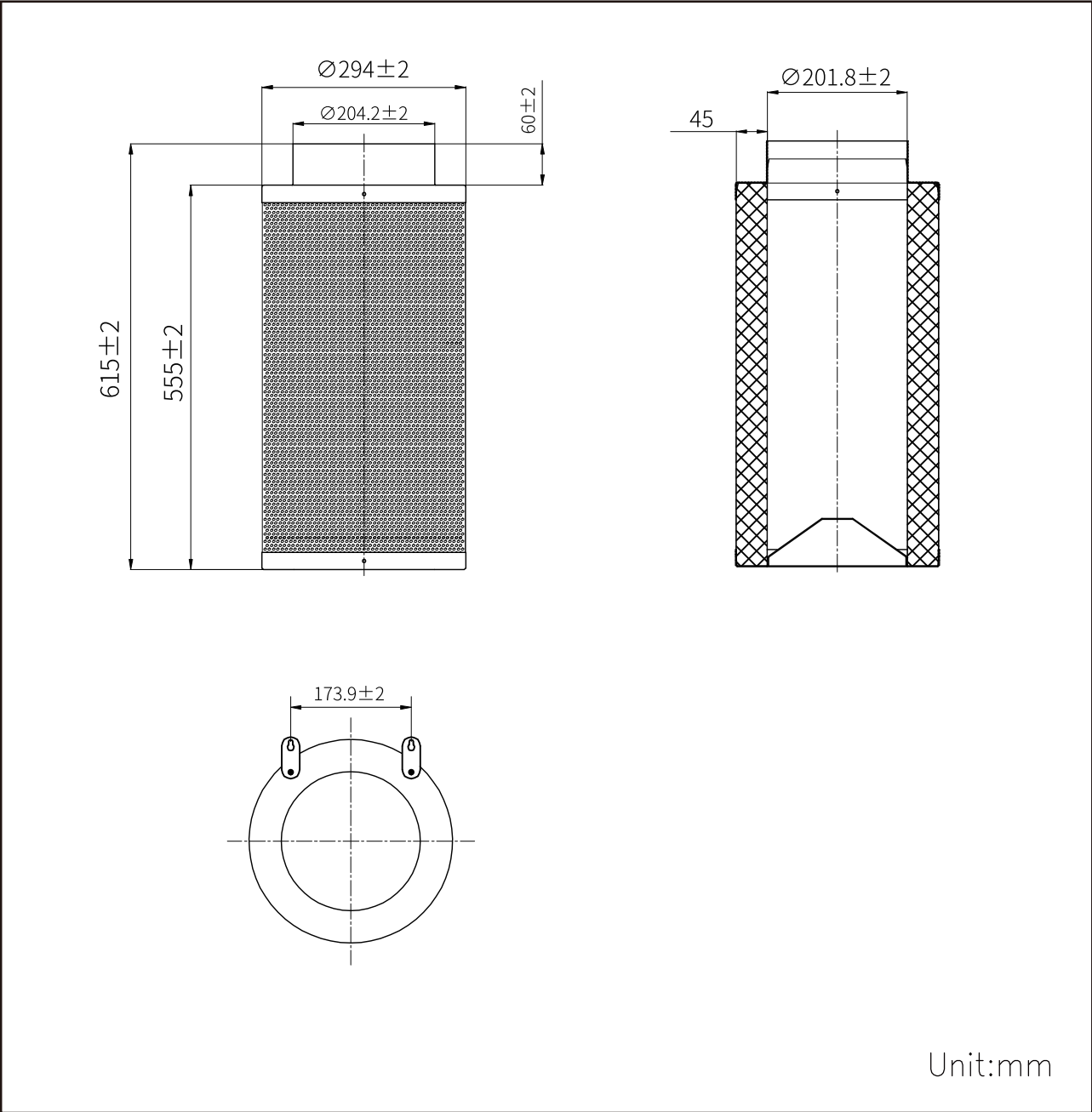
Prefiltered cotton • black



Prefiltered cotton • white



# DIMENSION DRAWING



## ADAPTABLE MODEL

■ SE-A200Z



■ SE-A200



■ SE-A200J

