

# **EC 70x70x25mm**



- Innovative, high efficient mixed flow fan
- Jet-engine design, precisely calibrated, aerodynamics refined through CFD optimization
- Eco-watt technology, 3-phase, 6-pole brushless motor
- Certified: CE,UKCA,ETL,SAA,PSE,G-mark

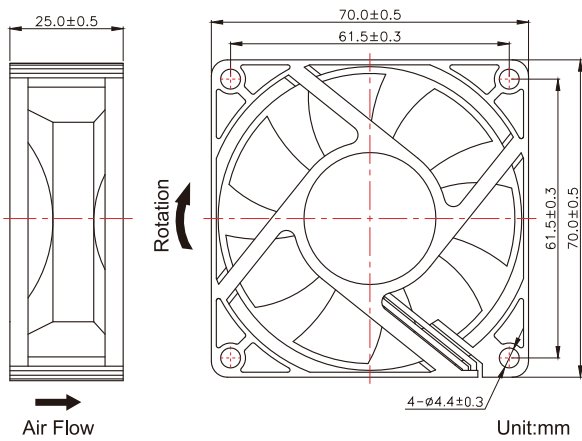
### GENERAL SPECIFICATIONS

Insulation: Class B  
 Material: Impeller & Frame: Plastic (UL94V-0)  
 Lead Wire: UL Type  
 Mode of operation: S1  
 Operation Temperature: -10°C-70°C, 35%-85%RH  
 Storage Temperature: -40°C-80°C, 35%-85%RH  
 Available Features: IP68 / PWM / FG&RD / Thermal control / Autoresart / Slow startup

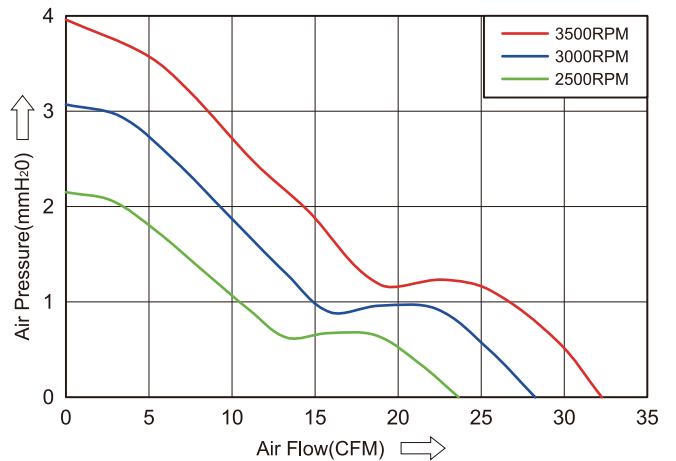
### SPECIFICATIONS

Model	Bearing System		Rated Voltage	Frequency	Operation Voltage	Rated Current	Power	Rated Speed	Air Flow	Air Pressure	Noise Level	Weight
	Ball	Sleeve	VAC	Hz	VAC	A	W	RPM	CFM	mmH <sub>2</sub> O	dBA	g
SE7025HX	●	●	115/230	50/60	98~264	0.10/0.05	4	3500	32.3	4.0	33	70
SE7025MX	●	●				0.08/0.04	3	3000	28.3	3.1	28	
SE7025LX	●	●				0.06/0.03	2	2500	23.6	2.2	24	

### DIMENSIONS DRAWIN



### P&Q CURVE(AT RATED VOLTAGE)



Note:

- \*All readings are typical values at rated voltage.
- \*The noise value is the measured value at the distance of 1 meter from the fan inlet
- \*Specifications are subject to change without prior notice.
- \* "X" in model list can be B, S, and C, meaning Dual Ball Bearing, Sleeve Bearing and 1 Ball 1 Sleeve Bearing