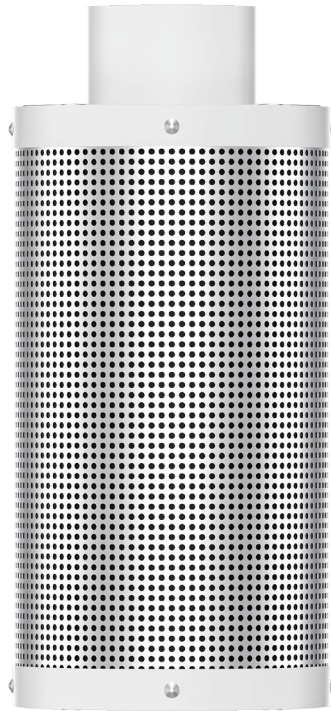


# SF0416



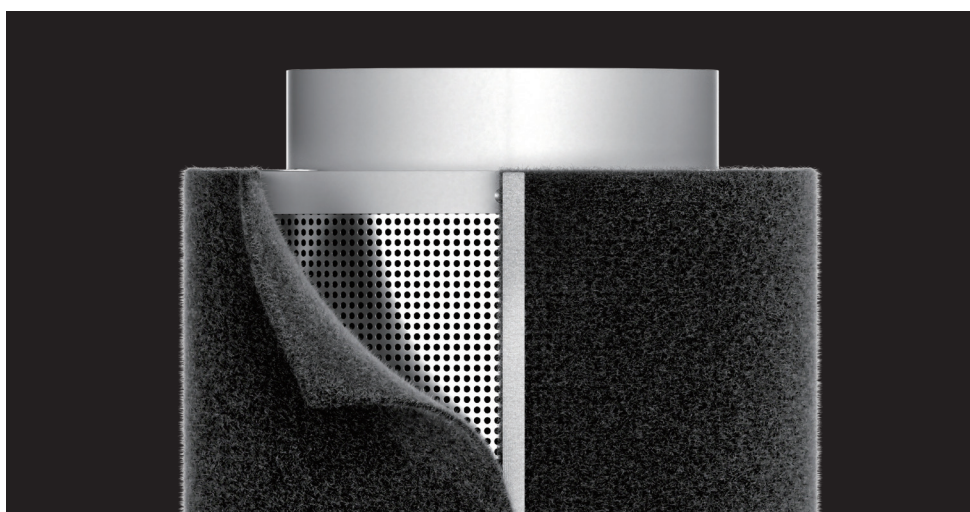
- Premium charcoal
- RC48 virgin granular carbon
- Deep carbon bed
- High open area
- Large air flow
- For seamless operation pair these filters with all SENSDAR EC fans

## GENERAL DATA

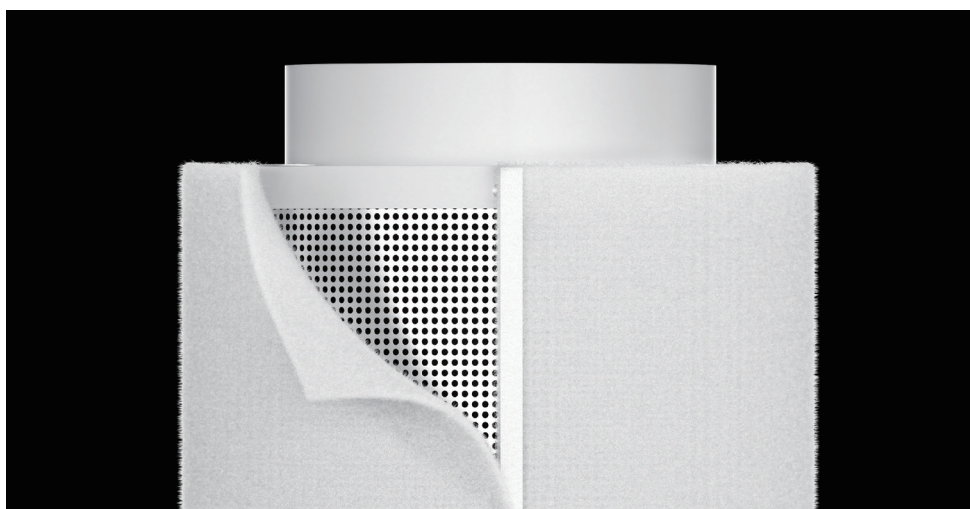
Model	SF0416
Duct Opening	4inch/102mm
Length	16inch/414mm
Air Flow	350CFM/594M <sup>3</sup> H
Medium	Premium Charcoal
Grade	RC-48
Carbon Bed	1.8inch/45mm
Carbon Weight	3.5Kg
Total Weight	5Kg
Filter Type	Pre-filter
Housing Material	Cold rolled steel

# ATTACHMENT OPTIONAL

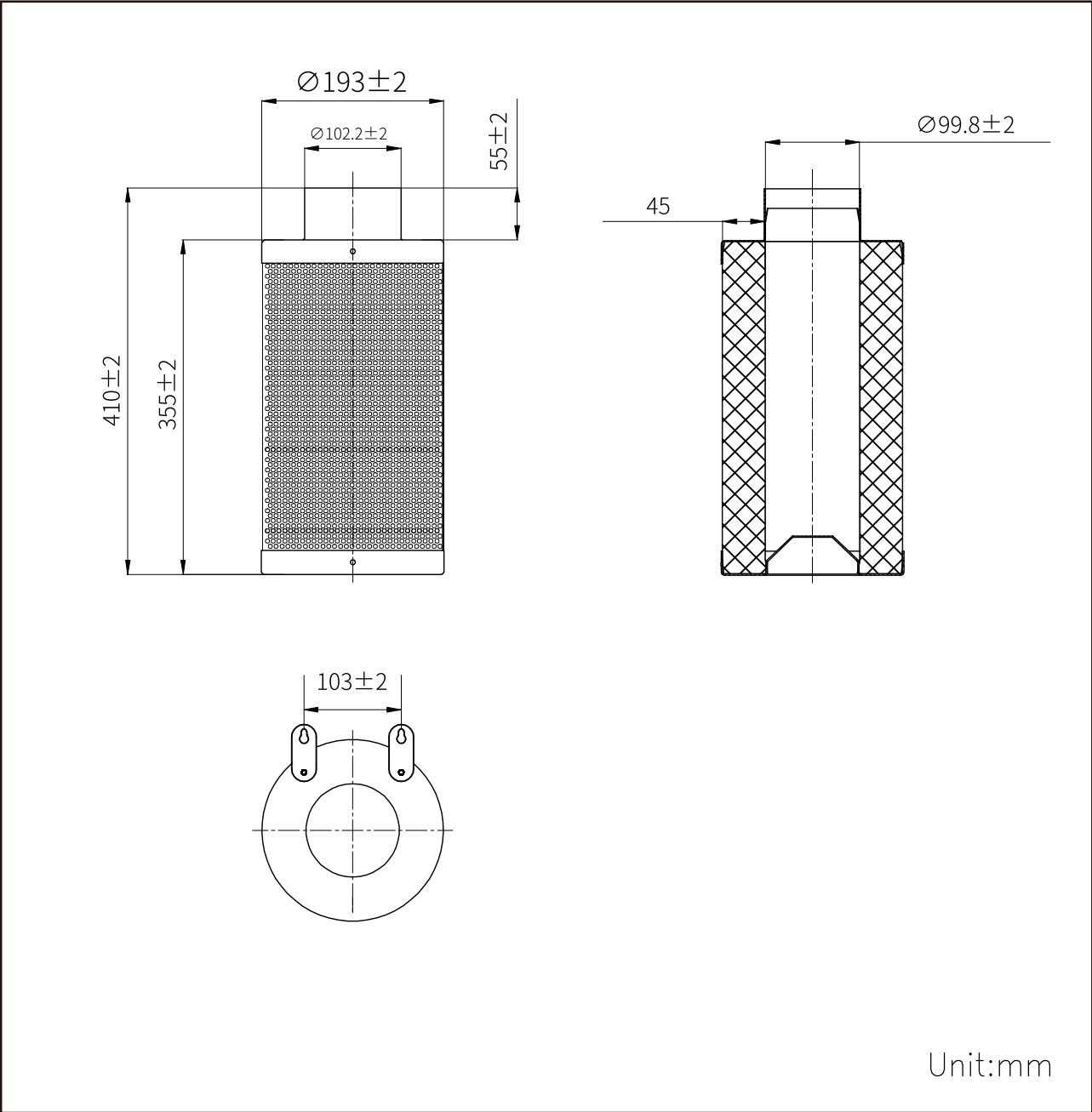
Prefiltered cotton • black



Prefiltered cotton • white



# DIMENSION DRAWING



## ADAPTABLE MODEL

- SE-A100

