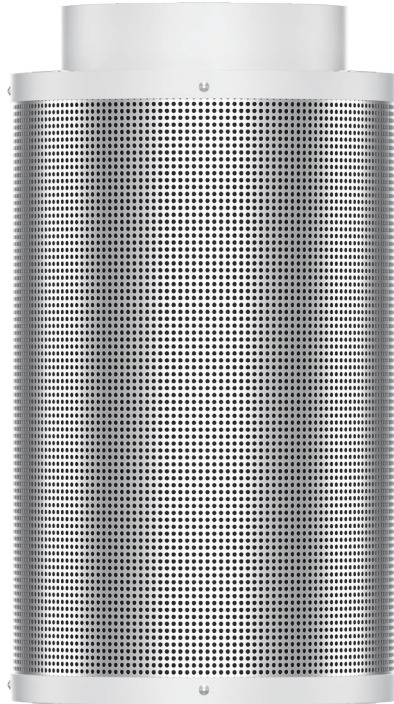


SF1024



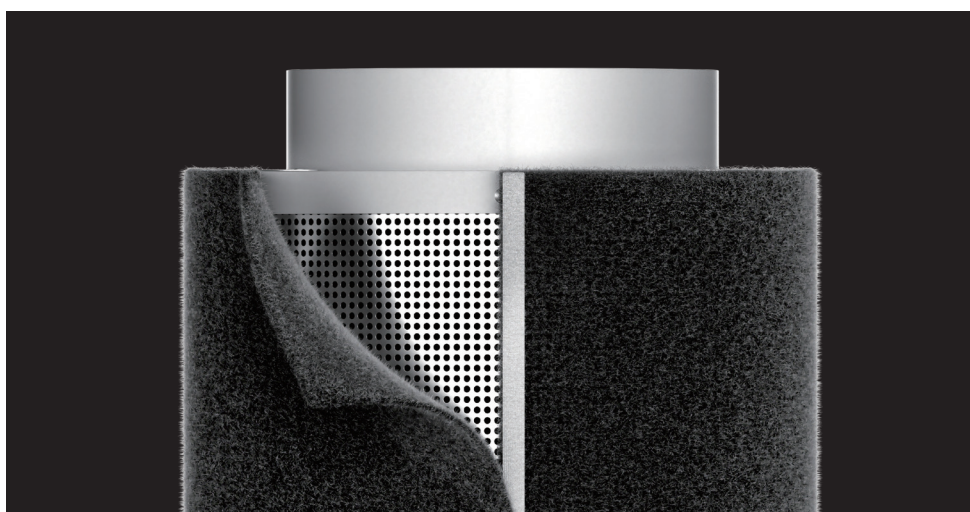
- Premium charcoal
- RC48 virgin granular carbon
- Deep carbon bed
- High open area
- Large air flow
- For seamless operation pair these filters with all SENSDAR EC fans

GENERAL DATA

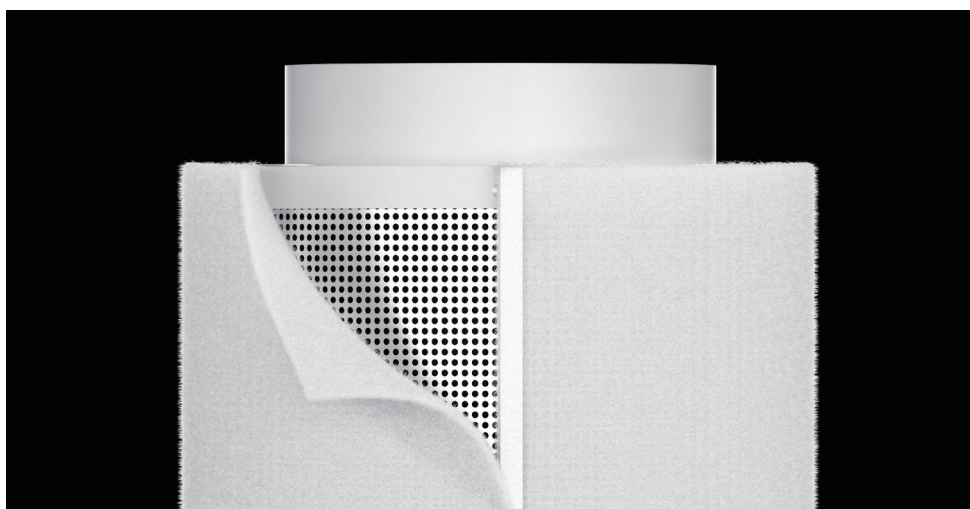
Model	SF1024
Duct Opening	10inch/254mm
Length	24inch/615mm
Air Flow	850CFM/1443M ³ H
Medium	Premium Charcoal
Grade	RC-48
Carbon Bed	1.8inch/45mm
Carbon Weight	12.6Kg
Total Weight	16.5Kg
Filter Type	Pre-filter
Housing Material	Cold rolled steel

ATTACHMENT OPTIONAL

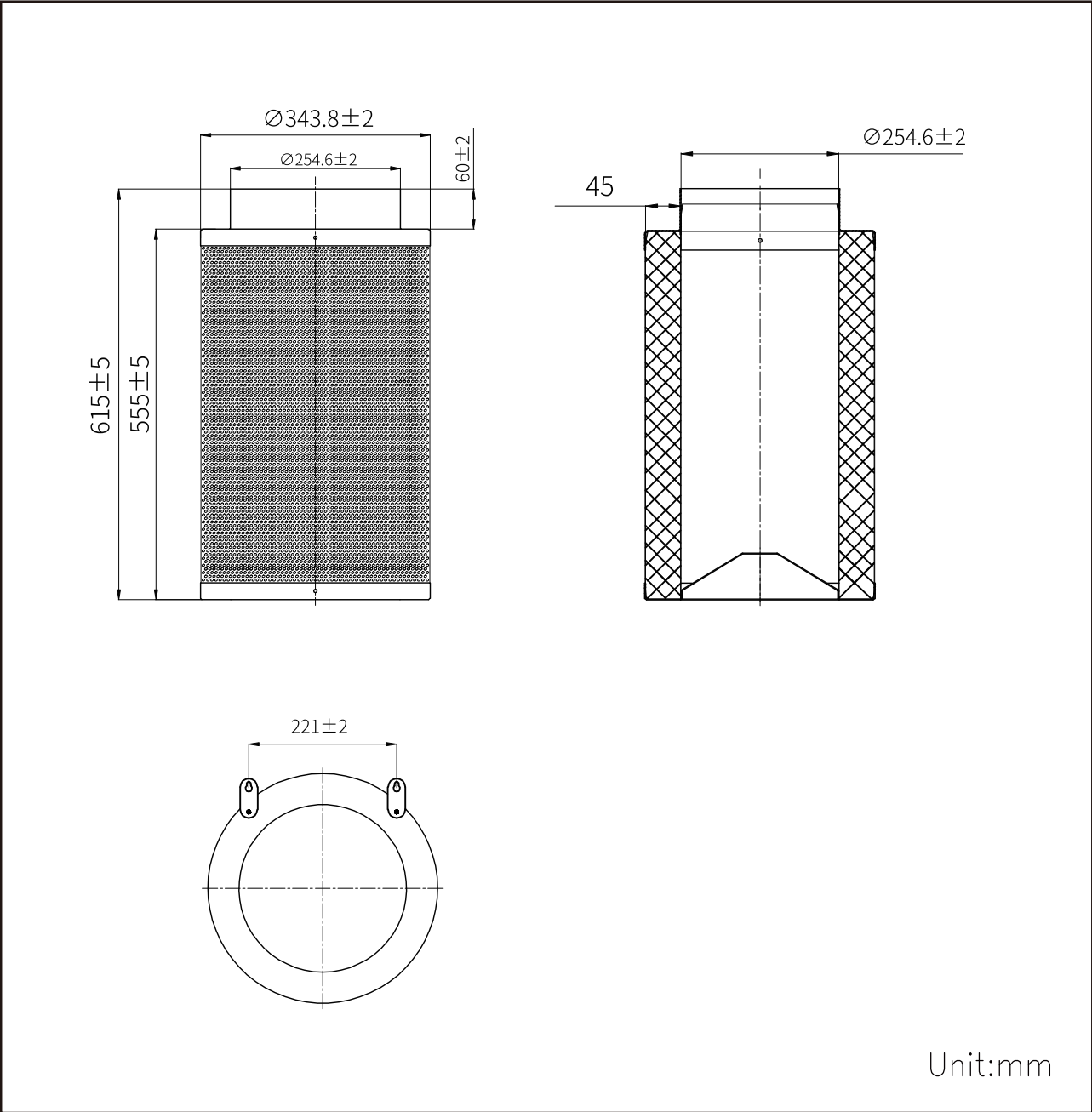
Prefiltered cotton • black



Prefiltered cotton • white



DIMENSION DRAWING



ADAPTABLE MODEL

■ SE-A250Z



■ SE-A250



■ SE-A250J

