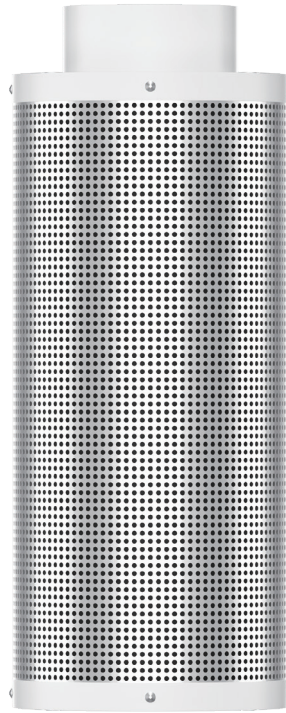


SF0624



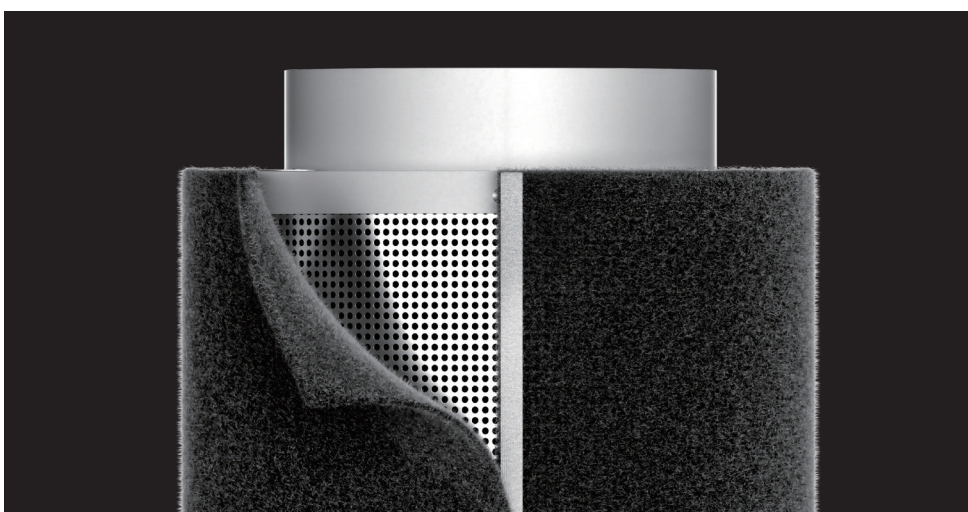
- Premium charcoal
- RC48 virgin granular carbon
- Deep carbon bed
- High open area
- Large air flow
- For seamless operation pair these filters with all SENSDAR EC fans

GENERAL DATA

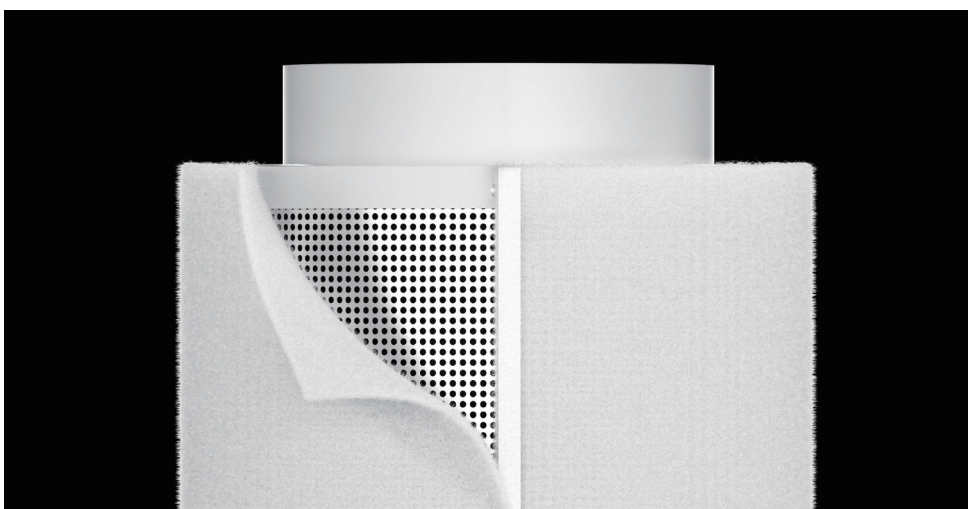
Model	SF0624
Duct Opening	6inch/153mm
Length	24inch/615mm
Air Flow	550CFM/934M ³ H
Medium	Premium Charcoal
Grade	RC-48
Carbon Bed	1.8inch/45mm
Carbon Weight	7Kg
Total Weight	9.5Kg
Filter Type	Pre-filter
Housing Material	Cold rolled steel

ATTACHMENT OPTIONAL

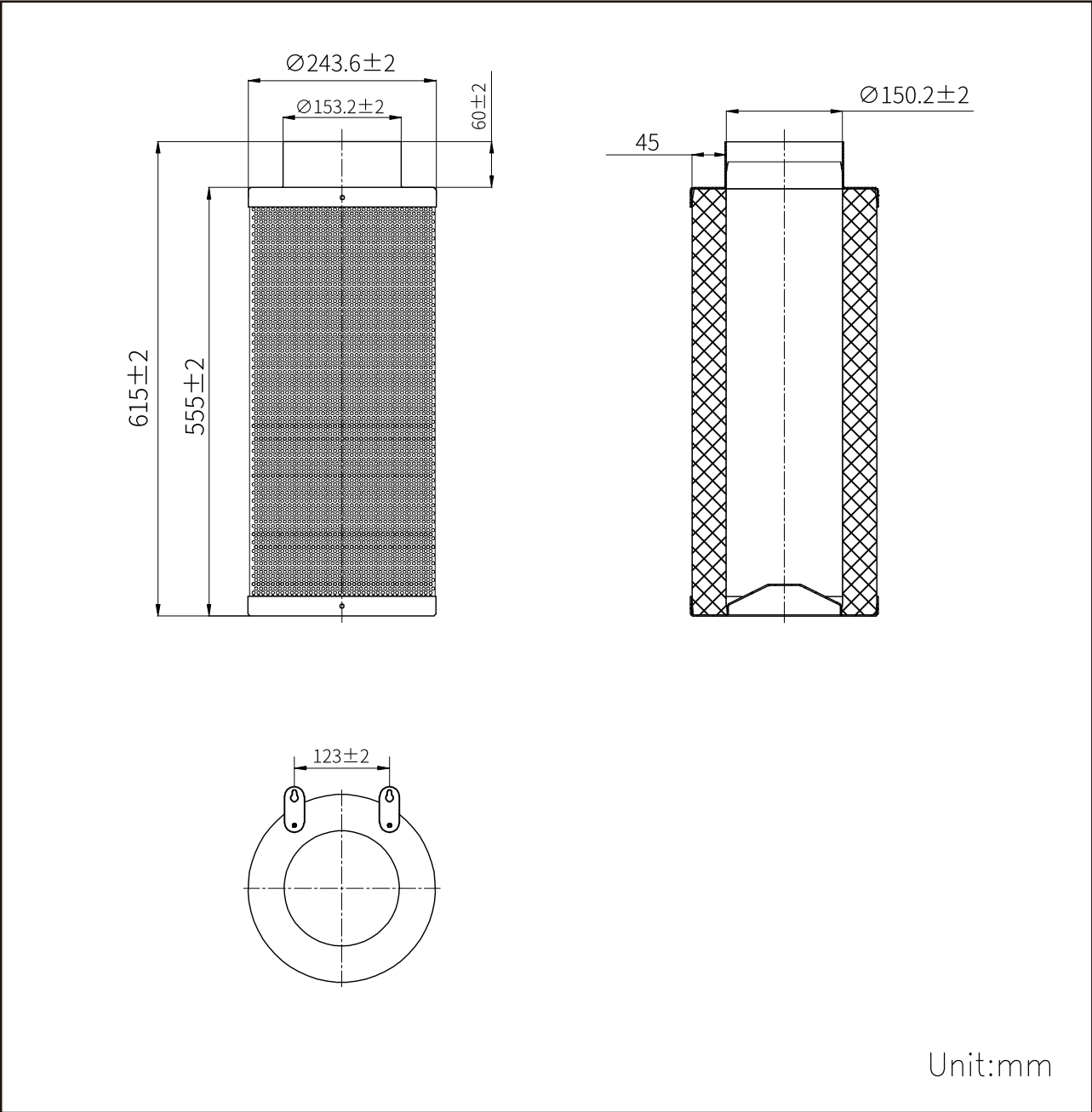
Prefiltered cotton • black



Prefiltered cotton • white



DIMENSION DRAWING



ADAPTABLE MODEL

■ SE-A150Z



■ SE-A150



■ SE-A150J

