

EC Φ254x89mm



- Innovative, high efficient mixed flow fan
- Jet-engine design, precisely calibrated, aerodynamics refined through CFD optimization
- Eco-watt technology, 3-phase, 6-pole brushless motor
- Certified: CE,UKCA,ETL,SAA,PSE,G-mark

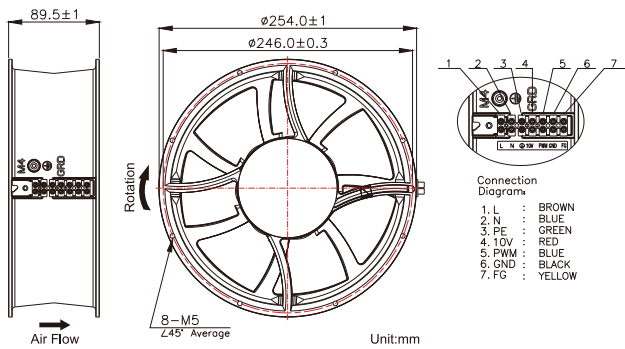
GENERAL SPECIFICATIONS

Insulation:	Class B
Material:	Impeller: Plastic; Frame: Aluminum Alloy
Lead Wire:	UL Type
Mode of operation:	S1
Operation Temperature:	-10°C-70°C, 35%-85%RH
Storage Temperature:	-40°C-80°C, 35%-85%RH
Available Features:	IP68 / PWM / FG&RD / Thermal control / Autoresart / Slow startup

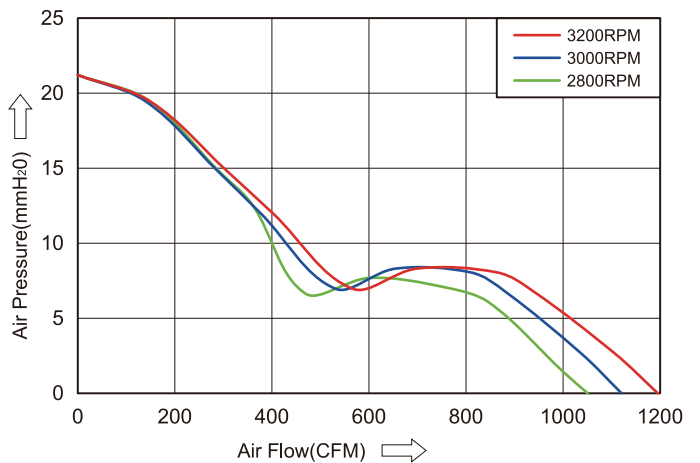
SPECIFICATIONS

Model	Bearing System		Rated Voltage VAC	Frequency Hz	Operation Voltage VAC	Rated Current A	Power W	Rated Speed RPM	Air Flow CFM	Air Pressure mmH ₂ O	Noise Level dBA	Weight g
	Ball	Sleeve										
SE2589HB	●		115/230	50/60	98~135	2.0/1.10	145	3200	1195.3	21.2	72.4	2100
SE2589MB	●					1.80/0.90	115	3000	1120.6	21.2	71	
SE2589LB	●					1.60/0.80	110	2800	1050.8	21.2	69.5	
SE2589H2B	●		220~240	50/60	190~240	1.10	145	3200	1195.3	21.2	72.4	2100
SE2589M2B	●					0.90	115	3000	1120.6	21.2	71	
SE2589L2B	●					0.80	100	2800	1050.8	21.2	69.5	

DIMENSIONS DRAWIN



P&Q CURVE(AT RATED VOLTAGE)



Note:

- *All readings are typical values at rated voltage.
- *The noise value is the measured value at the distance of 1 meter from the fan inlet
- *Specifications are subject to change without prior notice.
- * "X" in model list can be B, S, and C, meaning Dual Ball Bearing, Sleeve Bearing and 1 Ball 1 Sleeve Bearing